



SPECIFICATIONS

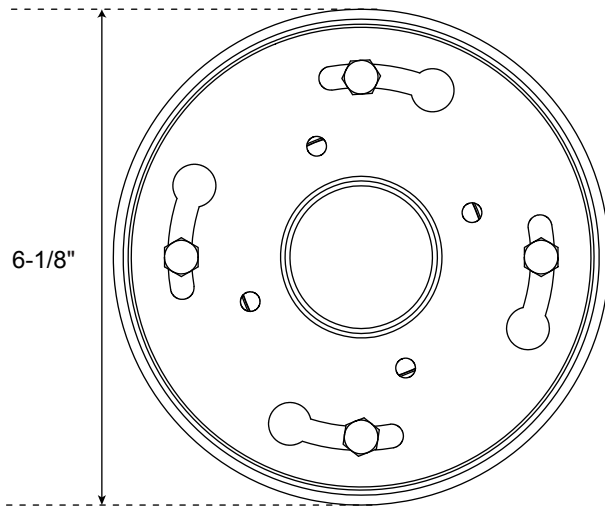
Flange Dimensions	6-1/8" diameter x 2-7/8" H
Strainer Dimensions	4-1/2" L x 4-1/2" W x 4" H

All measurements are approximate. Measurements may vary +/- 1/2".

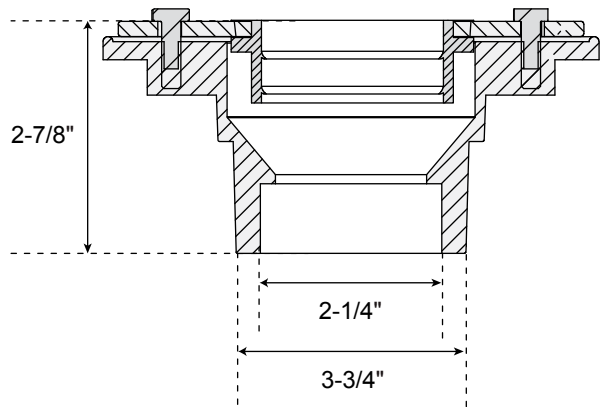
2" PVC

Adjustable Shower Drain with Brass Strainer

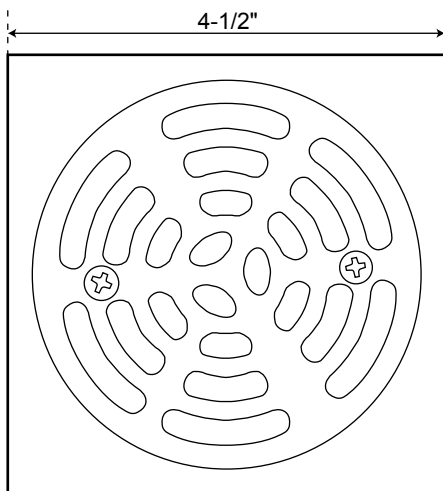
Drain Flange Top



Drain Flange Side



Strainer Top



Strainer Side

