



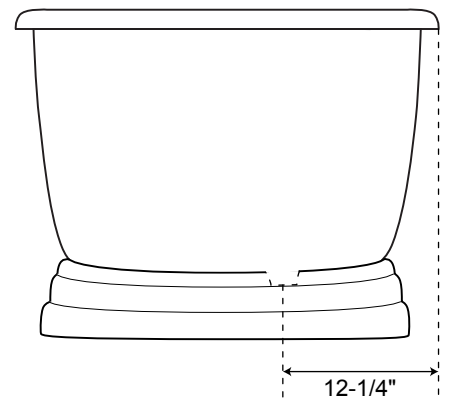
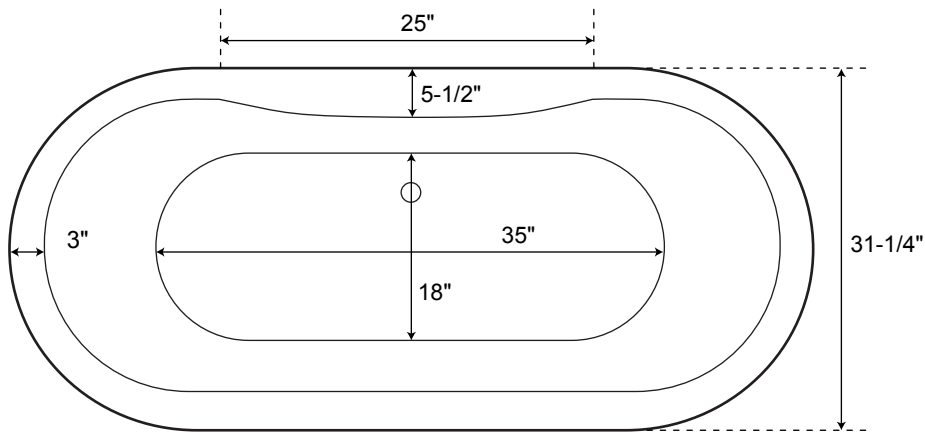
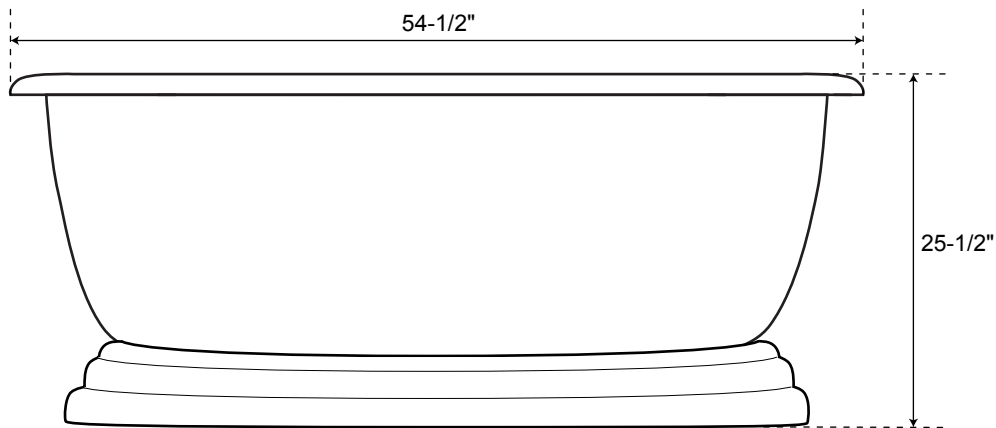
SPECIFICATIONS

Dimensions	54-1/2" L x 31-1/4" W (front to back) x 25-1/2" H
Water Capacity	
without overflow	52 gallons
with overflow	45 gallons
Water Depth	
to top of tub	19-1/4" H
to overflow	16-1/2" H
Tub Weight Uncrated	114 lbs.
Tub Weight Crated	224 lbs.
Tub Rim	3" wide
Faucet Configurations	No faucet drilling

55" Adrianna

Double Ended Tub on Plinth

All measurements are approximate.





SPECIFICATIONS

Dimensions	63" L x 31-1/2" W (front to back) x 25-1/2" H
Water Capacity	
without overflow	57 gallons
with overflow	49 gallons
Water Depth	
to top of tub	20-1/2" H
to overflow	17-3/4" H
Tub Weight Uncrated	114 lbs.
Tub Rim	3" wide
Faucet Configurations	No faucet drilling

63" Adrianna

Double Ended Tub on Plinth

All measurements are approximate.

