



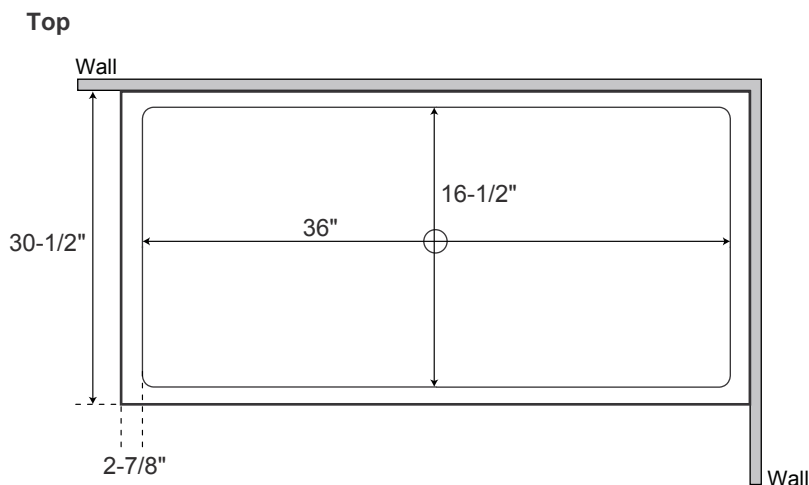
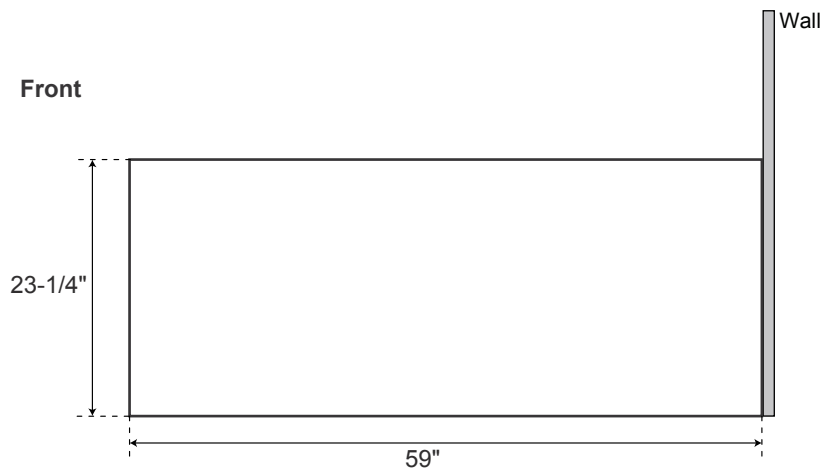
SPECIFICATIONS

Overall Dimensions	59" L x 30-1/2" W (front to back) x 23-1/4" H
Water Capacity	
without overflow	47 gallons
with overflow	N/A
Water Depth	
to top of tub	18-1/2"
to overflow	N/A
Tub Weight Uncrated	99 lbs.
Tub Footprint	59" L x 30-1/2" W (front to back)
Faucet Configurations	no faucet drillings

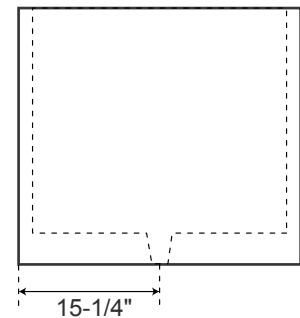
59" Aliyah

Acrylic Corner Tub
Right Corner

All measurements are approximate.



Side





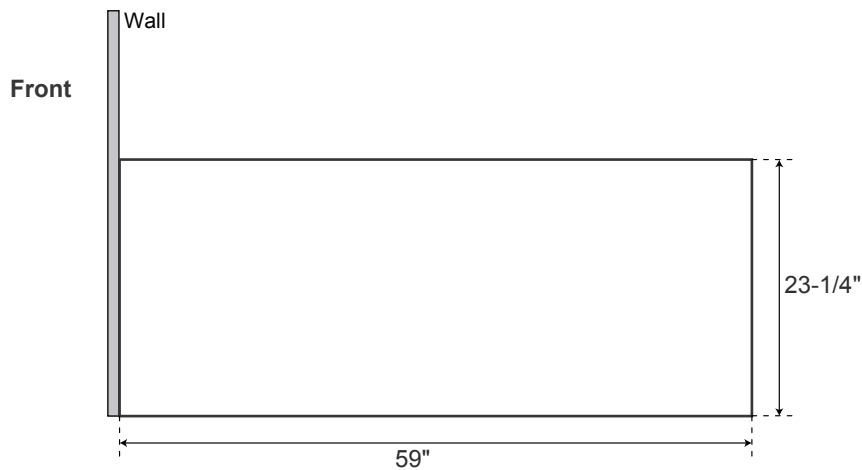
SPECIFICATIONS

Overall Dimensions	59" L x 30-1/2" W (front to back) x 23-1/4" H
Water Capacity	
without overflow	47 gallons
with overflow	N/A
Water Depth	
to top of tub	18-1/2"
to overflow	N/A
Tub Weight Uncrated	99 lbs.
Tub Footprint	59" L x 30-1/2" W (front to back)
Faucet Configurations	no faucet drillings

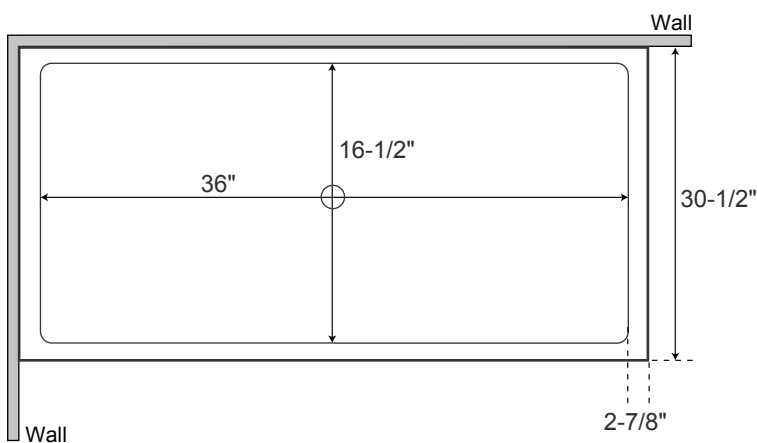
59" Aliyah

Acrylic Corner Tub
Left Corner

All measurements are approximate.



Top



Side

