

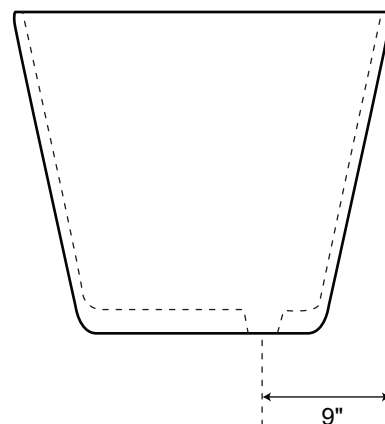
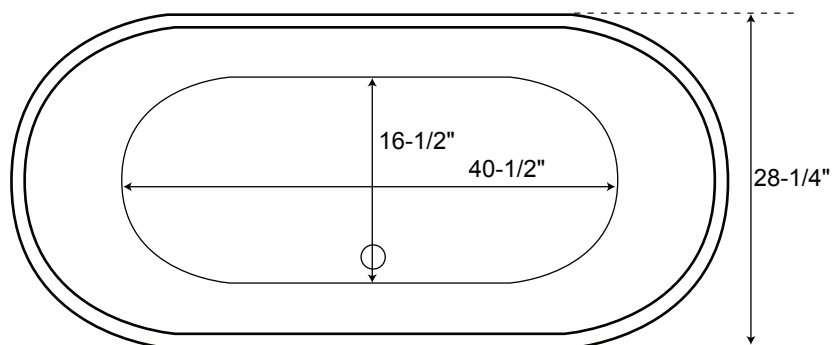
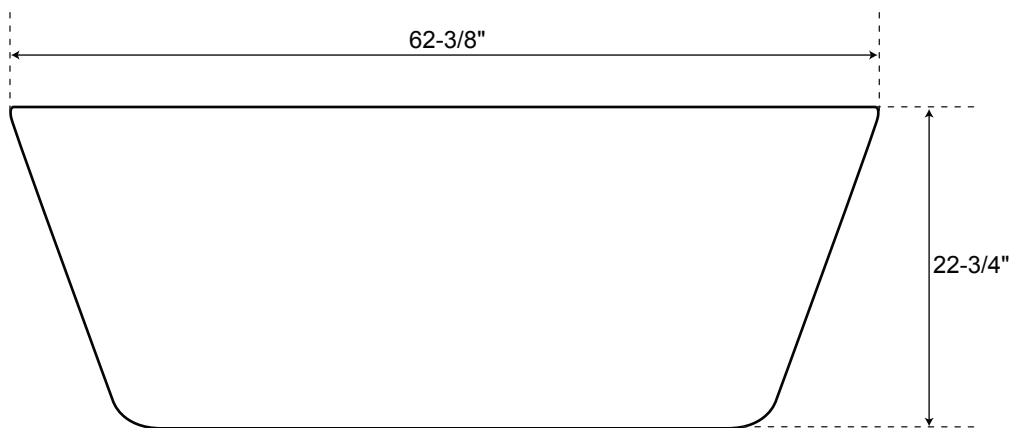


SPECIFICATIONS

Overall Dimensions	62-3/8" L x 28-1/4" W (front to back) x 22-3/4" H
Water Capacity	
without overflow	50 gallons
with overflow	40 gallons
Water Depth	
to top of tub	17-3/8" H
to overflow	13-7/8" H
Tub Weight Uncrated	76 lbs.
Tub Rim	1-1/4" wide
Tub Footprint	43" L x 21-1/2" W (front to back)
Faucet Configurations	No Drillings

62" Danae Freestanding Acrylic Tub

All measurements are approximate. Measurements may vary +/- 1/2".



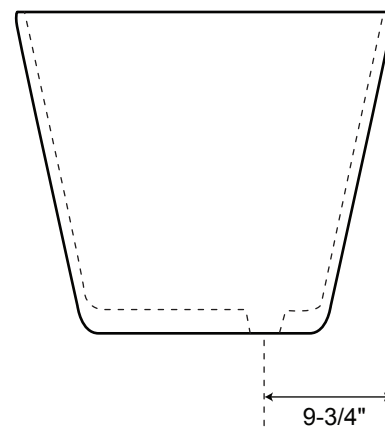
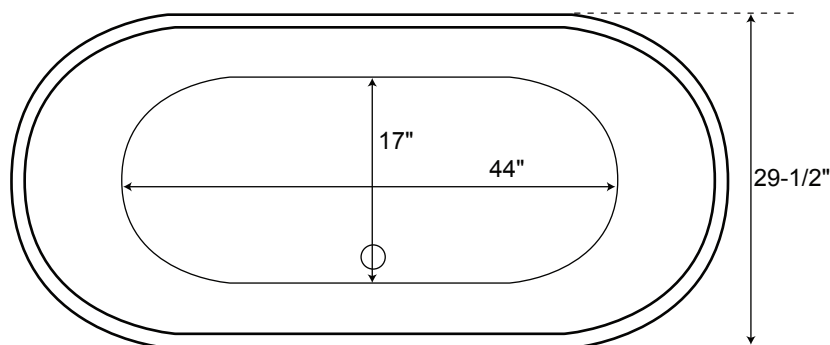
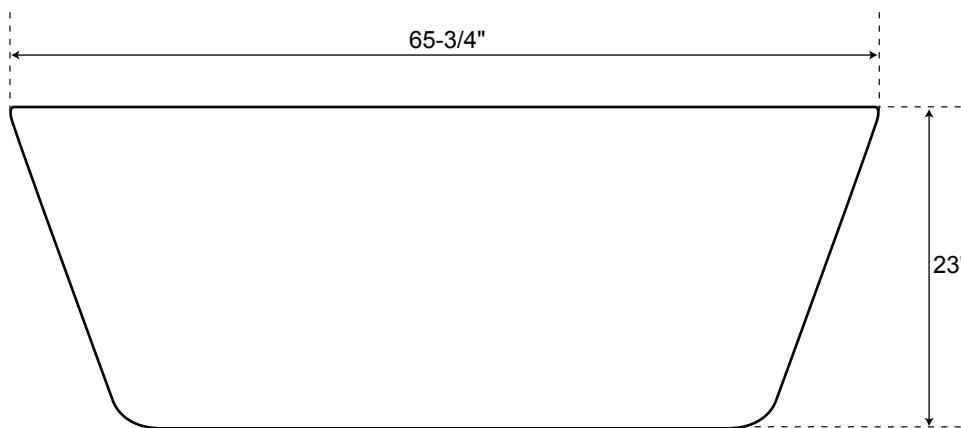


SPECIFICATIONS

Overall Dimensions	65-3/4" L x 29-1/2" W (front to back) x 23" H
Water Capacity	
without overflow	58 gallons
with overflow	46 gallons
Water Depth	
to top of tub	18" H
to overflow	14-1/2" H
Tub Weight Uncrated	76 lbs.
Tub Rim	1-1/4" wide
Tub Footprint	45" L x 19" W (front to back)
Faucet Configurations	No Drillings

66" Danae Freestanding Acrylic Tub

All measurements are approximate. Measurements may vary +/- 1/2".





SPECIFICATIONS

Overall Dimensions	70-3/8" L x 30-1/2" W (front to back) x 24" H
Water Capacity	
without overflow	74 gallons
with overflow	60 gallons
Water Depth	
to top of tub	18-3/4" H
to overflow	15-1/4" H
Tub Weight Uncrated	88 lbs.
Tub Rim	1-1/4" wide
Tub Footprint	48-1/2" L x 20-1/4" W (front to back)
Faucet Configurations	No Drillings

70" Danae Freestanding Acrylic Tub

All measurements are approximate. Measurements may vary +/- 1/2".

