



INSTALLATION INSTRUCTIONS

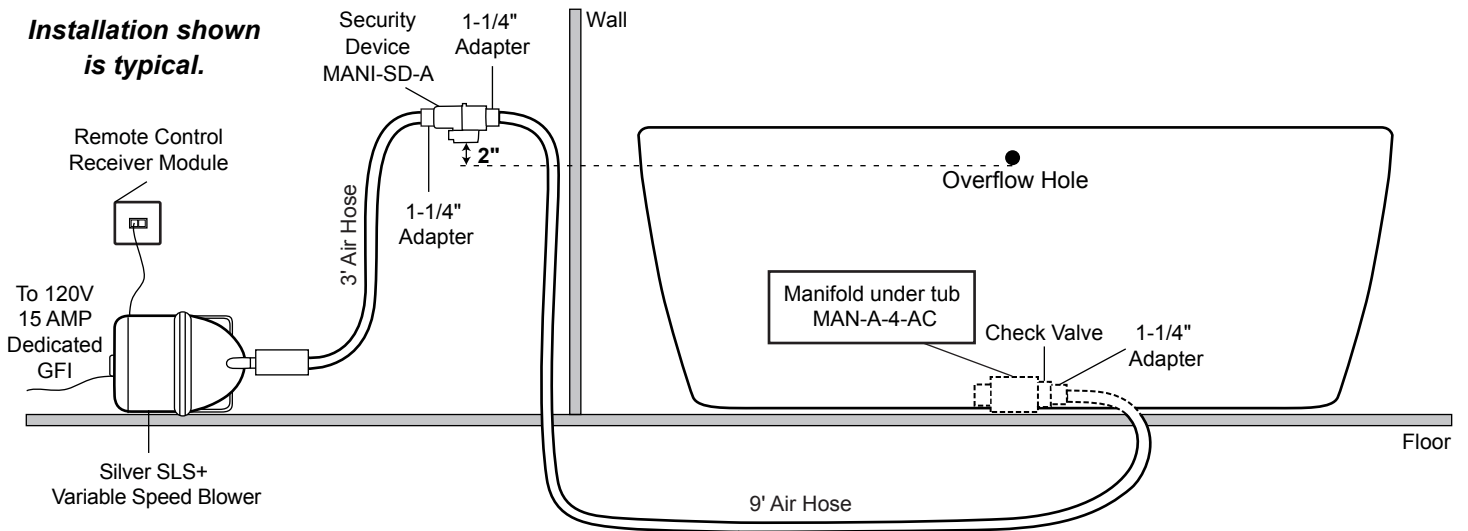
Components List:

- BM-TWP Ball Check Valve Jets
- MANI-SD-A Security Device
- MAN-A-4-AC Manifold
- Silver SLS+ Variable Speed Blower

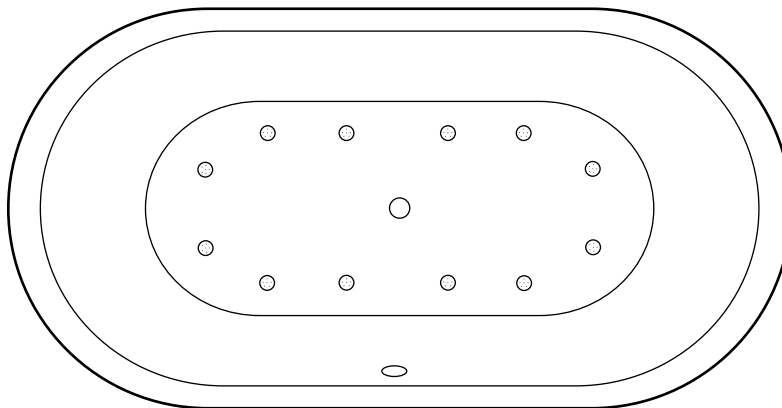
Install blower behind a wall (with an access panel) or in a closet. Blower can also be installed under floor. Ensure the Security device, MANI-SD-A, is at least 2" above the bottom of overflow hole. Security device and hose can be mounted in wall.

Eden Black Acrylic Freestanding Tub With Overflow

**Installation shown
is typical.**



INSIDE OF BATH TUB





INSTALLATION INSTRUCTIONS

Components List:

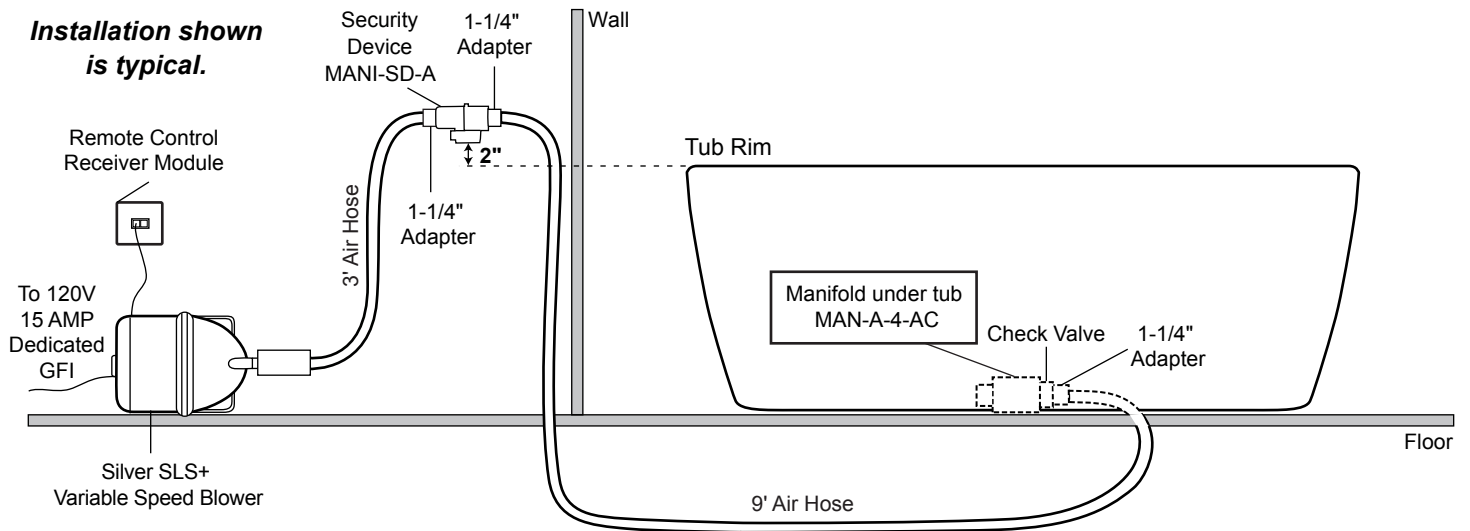
- BM-TWP Ball Check Valve Jets
- MANI-SD-A Security Device
- MAN-A-4-AC Manifold
- Silver SLS+ Variable Speed Blower

Install blower behind a wall (with an access panel) or in a closet. Blower can also be installed under floor. Ensure the Security device, MANI-SD-A, is at least 2" above the tub rim. Security device and hose can be mounted in wall.

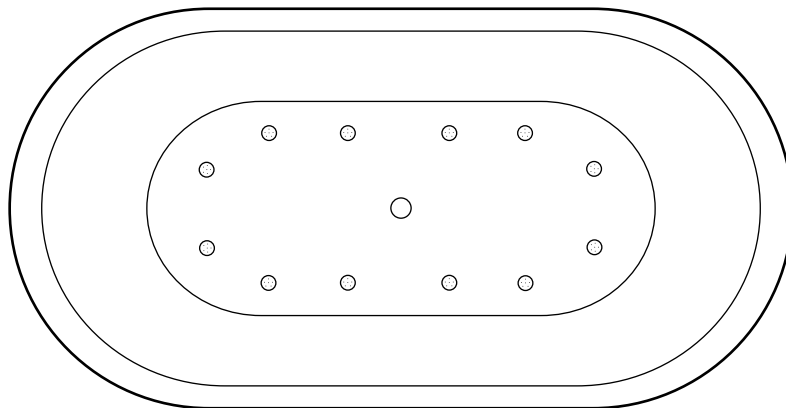
Eden

Black Acrylic Freestanding Tub Without Overflow

Installation shown is typical.



INSIDE OF BATH TUB



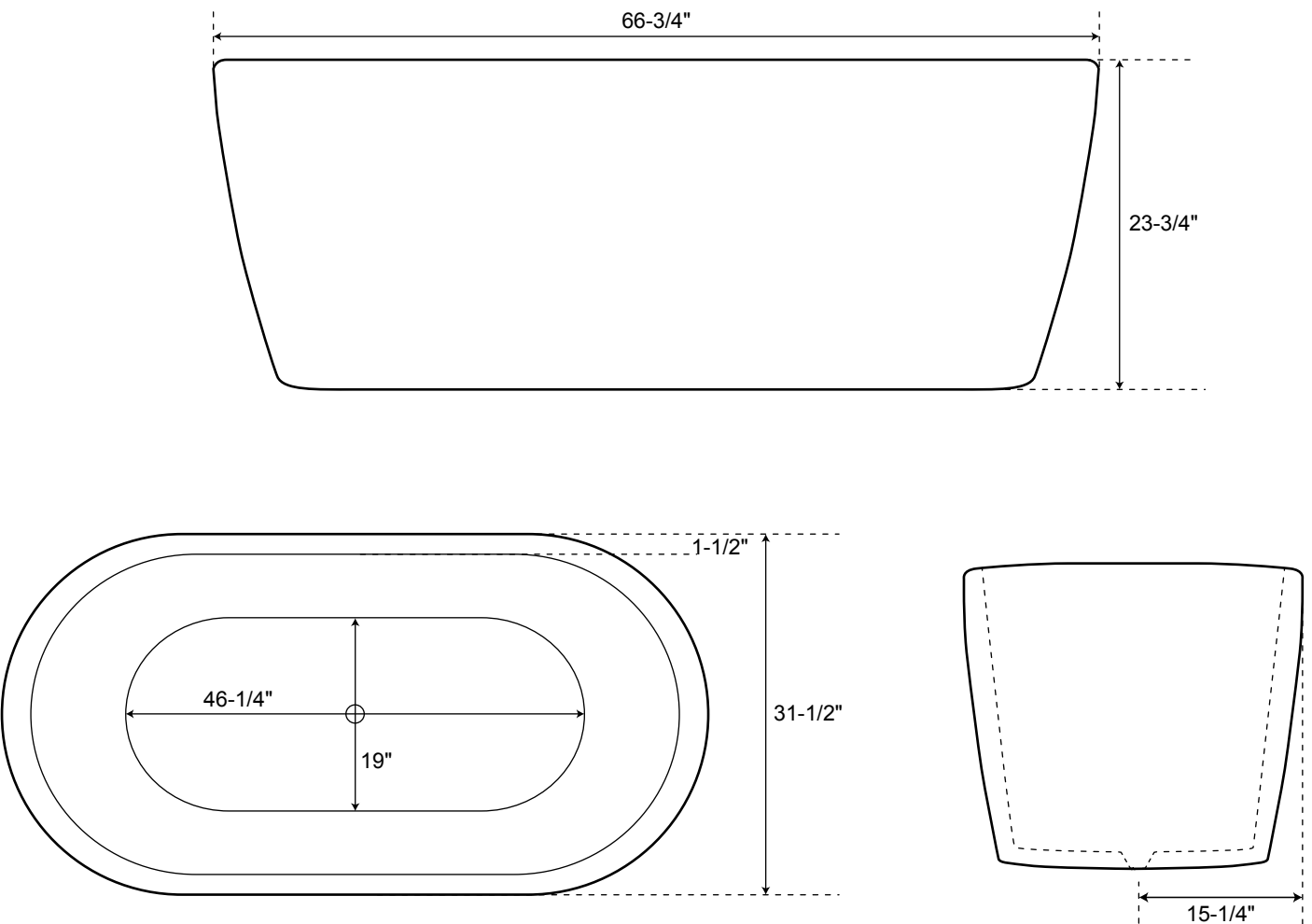


SPECIFICATIONS

Dimensions	66-3/4" L x 31-1/2" W (front to back) x 23-3/4" H
Water Capacity	
without overflow	71 gallons
with overflow	60 gallons
Water Depth	
to top of tub	18-3/4" H
to overflow	16" H
Tub Weight Uncrated	122 lbs.
Tub Rim	1-1/2" wide
Faucet Configurations	no faucet drilling

67" Eden

Black Acrylic Freestanding Tub



All measurements are approximate.