



# INSTALLATION INSTRUCTIONS

## Components List:

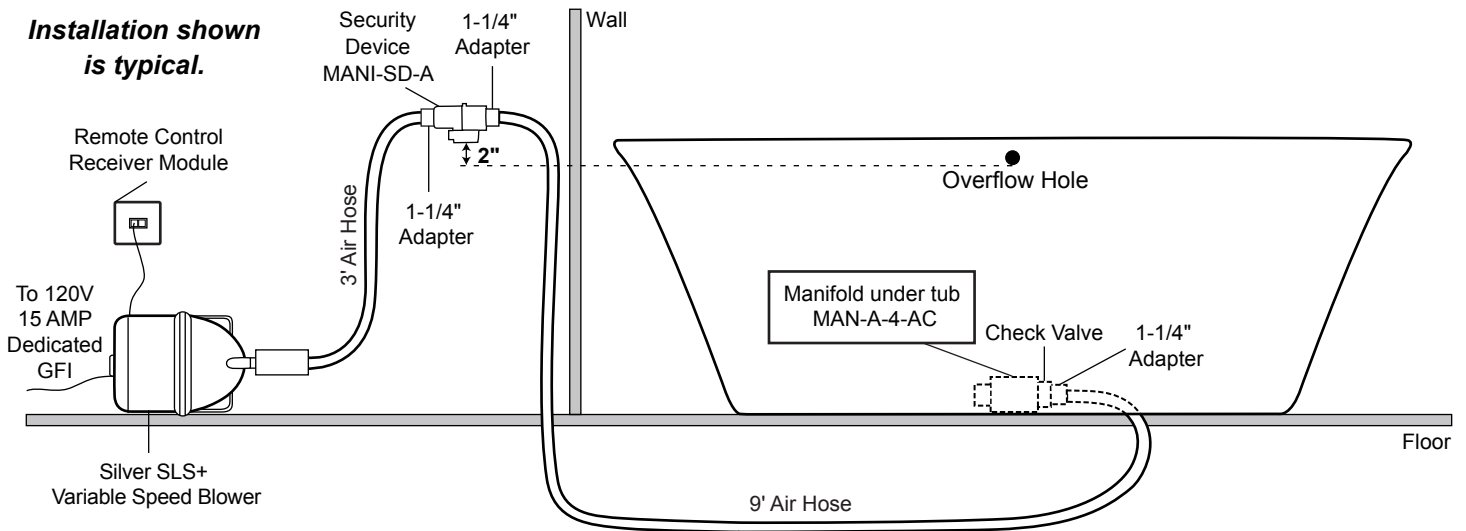
- BM-TWP Ball Check Valve Jets
- MANI-SD-A Security Device
- MAN-A-4-AC Manifold
- Silver SLS+ Variable Speed Blower

Install blower behind a wall (with an access panel) or in a closet. Blower can also be installed under floor. Ensure the Security device, MANI-SD-A, is at least 2" above the bottom of overflow hole. Security device and hose can be mounted in wall.

# Laxson

## Freestanding Acrylic tub With Overflow

### Installation shown is typical.



### INSIDE OF BATH TUB

#### Features:

- (12) Maxi Air Jets with 24 openings

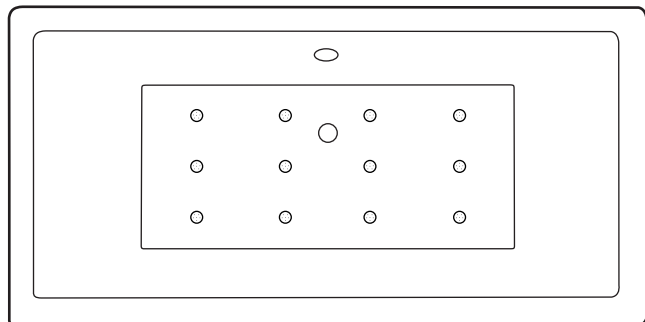


Elbows for air jets    Tees for air jets

- Remote Control CG+/RTC-SENSOR-WP



12-15 year battery life





# INSTALLATION INSTRUCTIONS

## Components List:

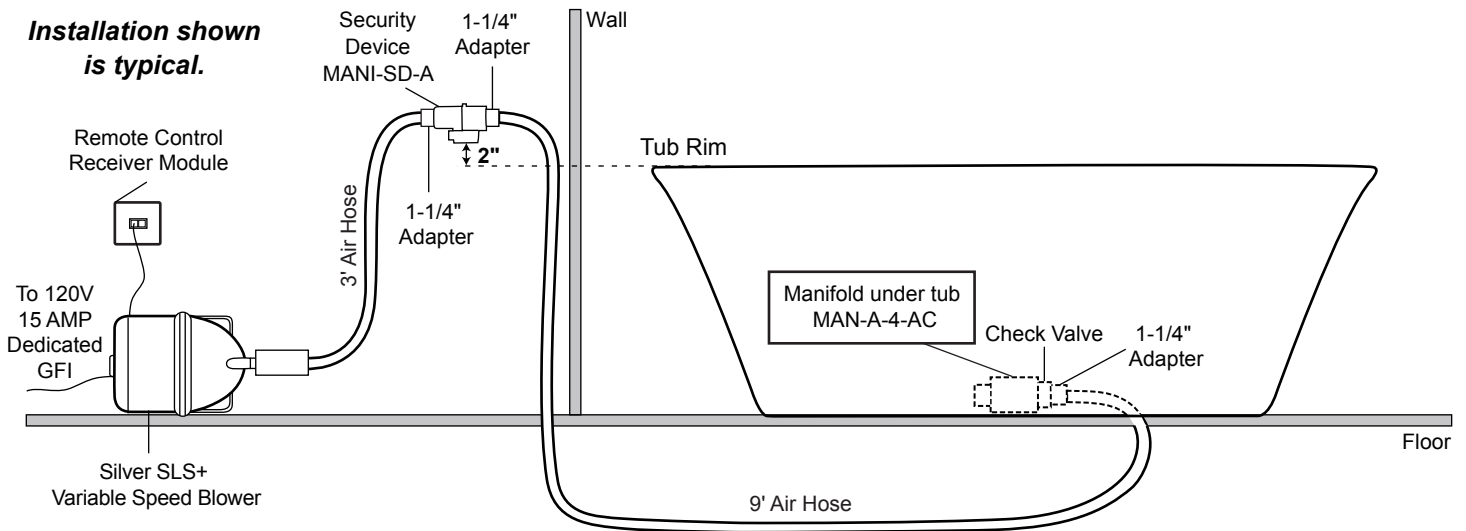
- BM-TWP Ball Check Valve Jets
- MANI-SD-A Security Device
- MAN-A-4-AC Manifold
- Silver SLS+ Variable Speed Blower

Install blower behind a wall (with an access panel) or in a closet. Blower can also be installed under floor. Ensure the Security device, MANI-SD-A, is at least 2" above the tub rim. Security device and hose can be mounted in wall.

# Laxson

## Freestanding Acrylic tub Without Overflow

**Installation shown  
is typical.**



## INSIDE OF BATH TUB

## Features:

- (12) Maxi Air Jets with 24 openings

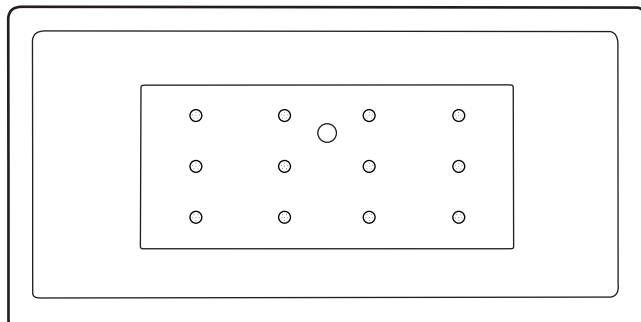


Elbows for air jets    Tees for air jets

- Remote Control CG+/RTC-SENSOR-WP



12-15 year battery life





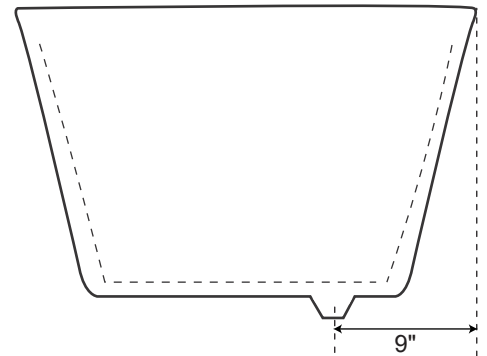
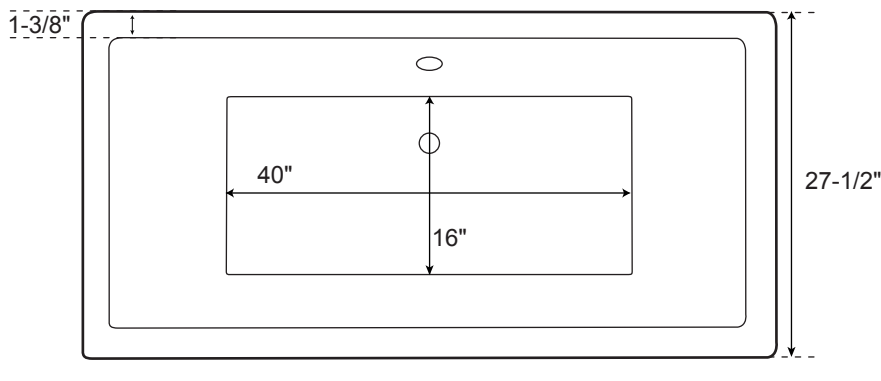
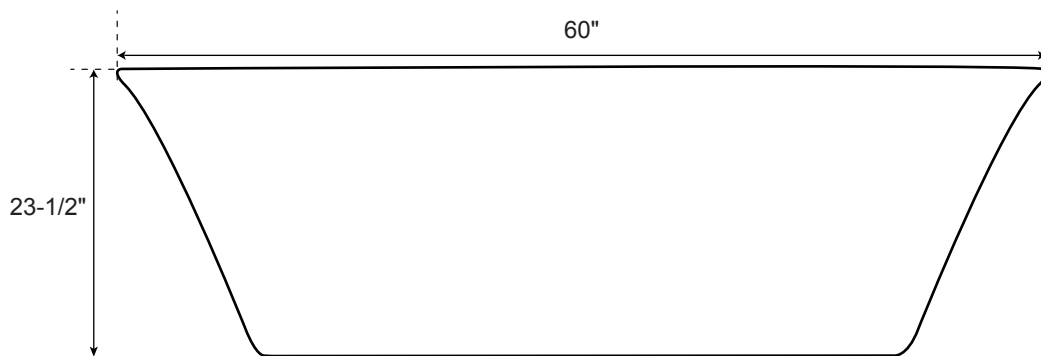
## SPECIFICATIONS

Dimensions	60" L x 27-1/2" W (front to back) x 23-1/2" H
Water Capacity	
without overflow	51 gallons
with overflow	43 gallons
Water Depth	
to top of tub	18-1/2" H
to overflow	15-3/4"
Tub Weight Uncrated	89 lbs.
Tub Rim	1-3/8"
Tub Footprint	46-1/2" L x 21" W
Faucet Configurations	No Faucet Drilling

# 60" Laxson

Freestanding Acrylic Tub

*All measurements are approximate. Measurements may vary +/- 1/2*





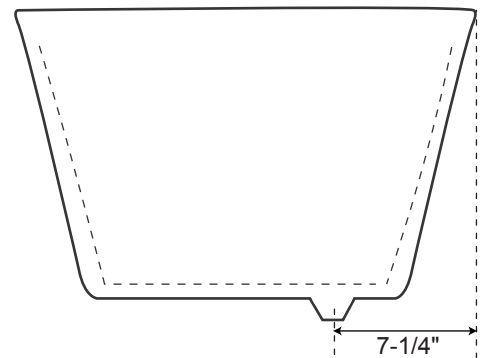
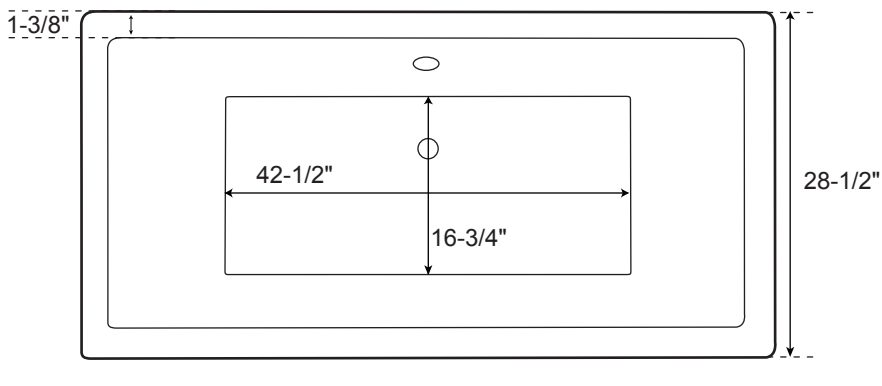
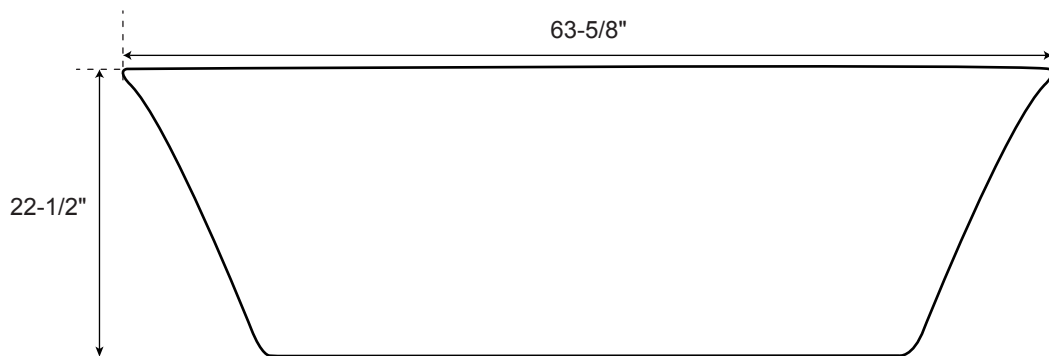
## SPECIFICATIONS

Dimensions	63-5/8" L x 28-1/2" W (front to back) x 22-1/2" H
Water Capacity	
without overflow	53 gallons
with overflow	44 gallons
Water Depth	
to top of tub	17-3/8" H
to overflow	14-5/8"
Tub Weight Uncrated	92 lbs.
Tub Rim	1-3/8"
Tub Footprint	50" L x 22-1/2" W
Faucet Configurations	No Faucet Drilling

# 64" Laxson

Freestanding Acrylic Tub

*All measurements are approximate. Measurements may vary +/- 1/2*





## SPECIFICATIONS

Dimensions	70" L x 31-1/2" W (front to back) x 23-1/4" H
Water Capacity	
without overflow	61 gallons
with overflow	51 gallons
Water Depth	
to top of tub	17-3/8" H
to overflow	14-5/8"
Tub Weight Uncrated	96 lbs.
Tub Rim	1-3/8"
Faucet Configurations	No Faucet Drilling
Tub Footprint	55" L x 23-1/2" W

# 70" Laxson

Freestanding Acrylic Tub

*All measurements are approximate. Measurements may vary +/- 1/2*

