



# INSTALLATION INSTRUCTIONS

## Components List:

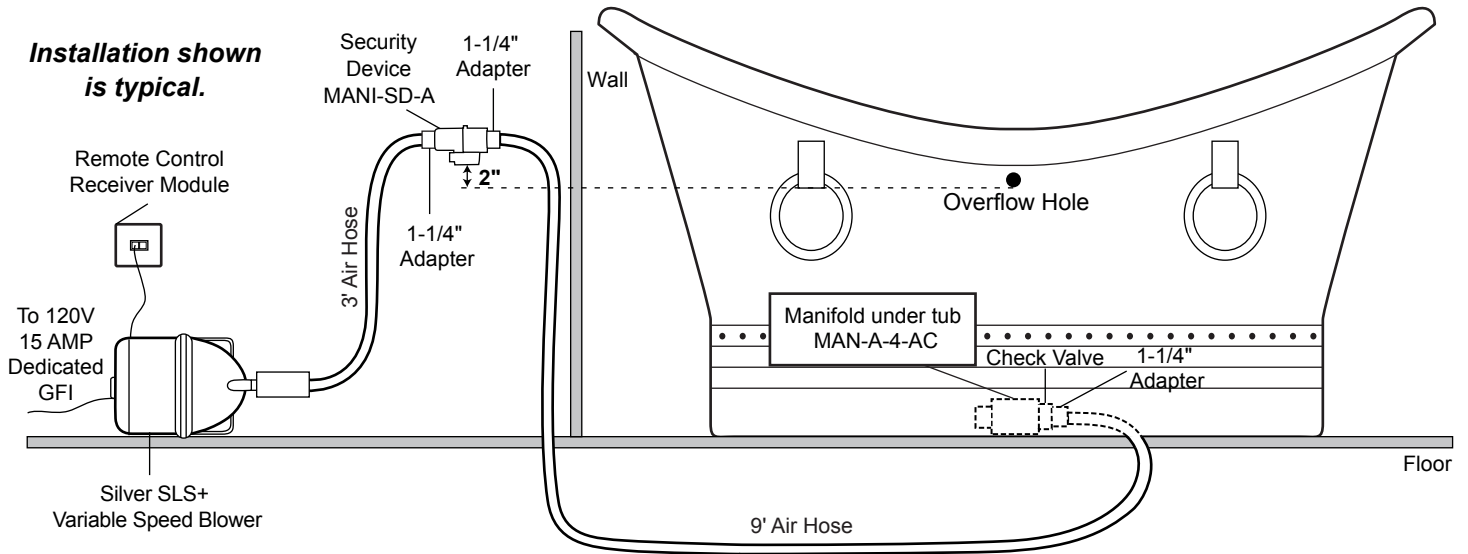
- BM-TWP Ball Check Valve Jets
- MANI-SD-A Security Device
- MAN-A-4-AC Manifold
- Silver SLS+ Variable Speed Blower

Install blower behind a wall (with an access panel) or in a closet. Blower can also be installed under floor. Ensure the Security device, MANI-SD-A, is at least 2" above the bottom of overflow hole. Security device and hose can be mounted in wall.

# Sawyer

## Copper Double-Slipper Pedestal Tub - With Overflow

### Installation shown is typical.



## INSIDE OF BATH TUB

### Features:

- (12) Maxi Air Jets with 24 openings

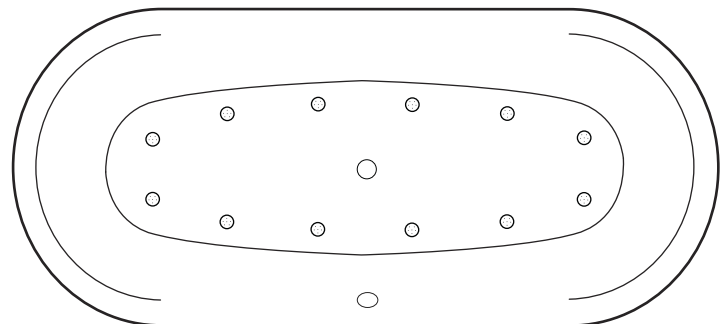


Elbows for air jets Tees for air jets

- Remote Control CG+/RTC-SENSOR-WP



12-15 year battery life





# INSTALLATION INSTRUCTIONS

## Components List:

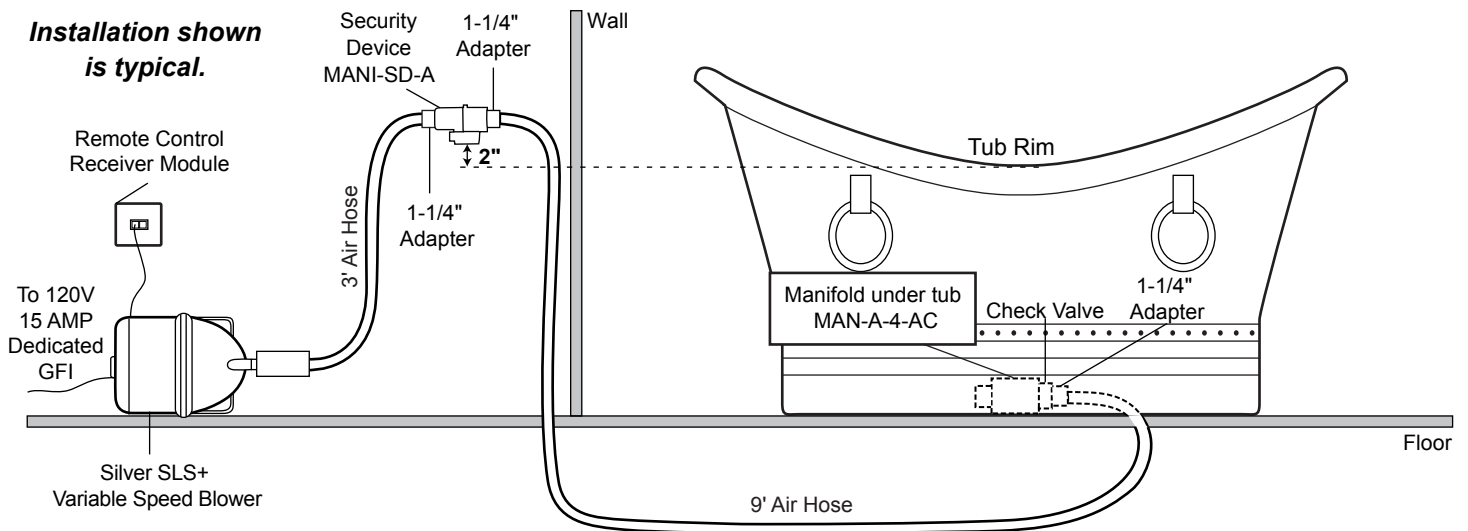
- BM-TWP Ball Check Valve Jets
- MANI-SD-A Security Device
- MAN-A-4-AC Manifold
- Silver SLS+ Variable Speed Blower

Install blower behind a wall (with an access panel) or in a closet. Blower can also be installed under floor. Ensure the Security device, MANI-SD-A, is at least 2" above the tub rim. Security device and hose can be mounted in wall.

# Sawyer

## Copper Double-Slipper Pedestal Tub - Without Overflow

**Installation shown is typical.**



## INSIDE OF BATH TUB

### Features:

- (12) Maxi Air Jets with 24 openings

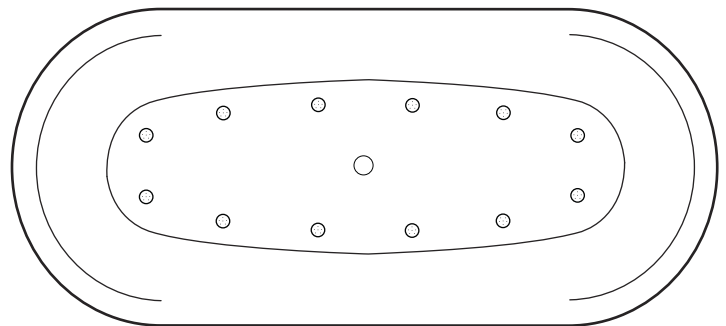


Elbows for air jets Tees for air jets

- Remote Control CG+/RTC-SENSOR-WP



12-15 year battery life



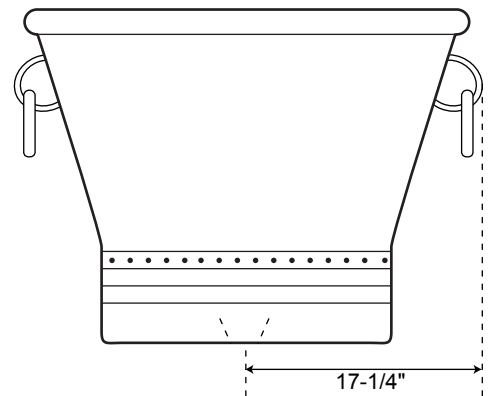
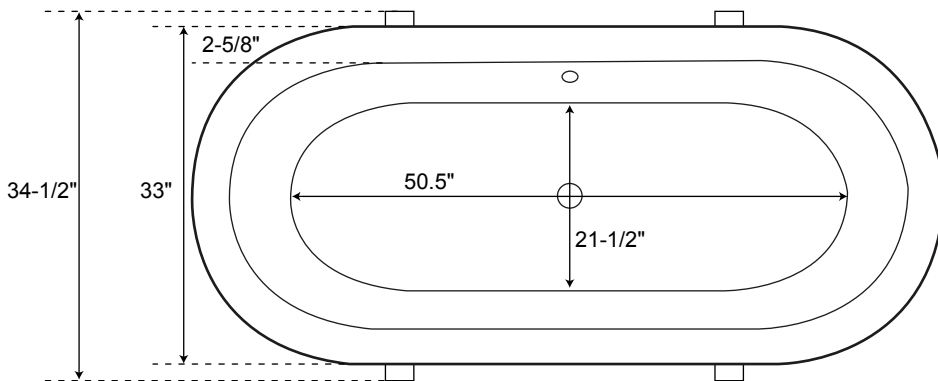
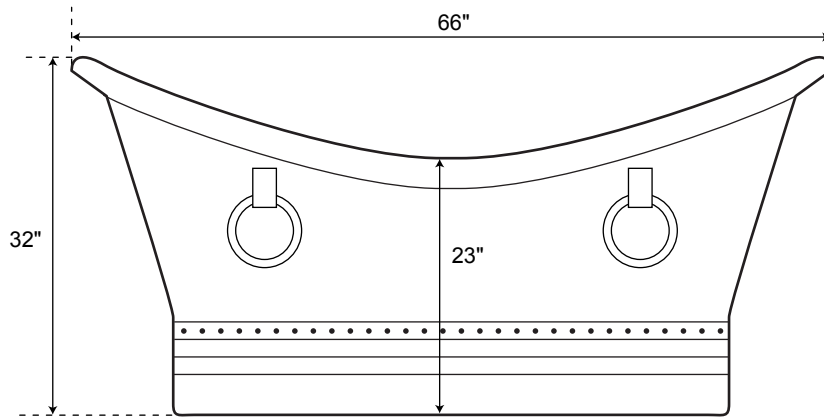


## SPECIFICATIONS

Overall Dimensions	66" L x 33" W (front to back) x 32" H
Water Capacity	
without overflow	81 gallons
with overflow	69 gallons
Water Depth	
to top of tub	17-1/2" H
to overflow	14-3/4" H
Tub Weight Uncrated	115 lbs.
Tub Rim	2-5/8" wide
Faucet Configurations	No Drillings

## 66" Sawyer Copper Double-Slipper Pedestal Tub

*All measurements are approximate. Measurements may vary +/- 1".*





## SPECIFICATIONS

Overall Dimensions	72" L x 33" W (front to back) x 32" H
Water Capacity	
without overflow	90 gallons
with overflow	76 gallons
Water Depth	
to top of tub	17-1/2" H
to overflow	14-3/4" H
Tub Weight Uncrated	115 lbs.
Tub Rim	2-5/8" wide
Faucet Configurations	No Drillings

## 72" Sawyer Copper Double-Slipper Pedestal Tub

*All measurements are approximate. Measurements may vary +/- 1".*

