



# INSTALLATION INSTRUCTIONS

## Components List:

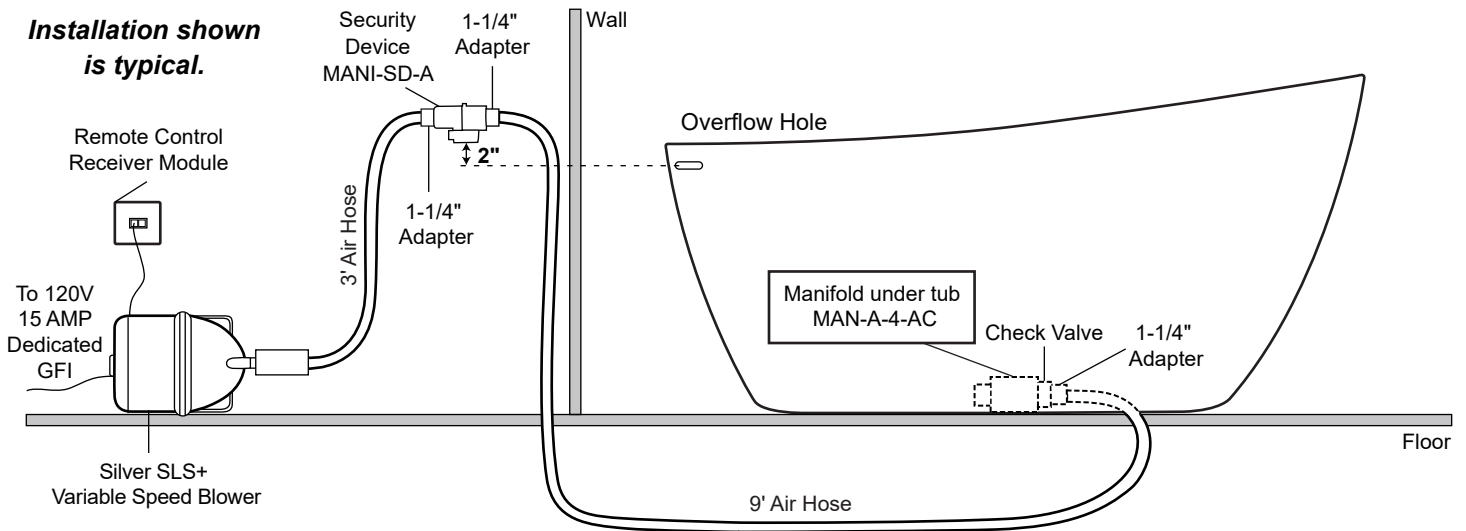
- BM-TWP Ball Check Valve Jets
- MANI-SD-A Security Device
- MAN-A-4-AC Manifold
- Silver SLS+ Variable Speed Blower

Install blower behind a wall (with an access panel) or in a closet. Blower can also be installed under floor. Ensure the Security device, MANI-SD-A, is at least 2" above the bottom of overflow hole. Security device and hose can be mounted in wall.

# Sheba

## Gloss Resin Freestanding Tub

**Installation shown is typical.**



## INSIDE OF BATH TUB

### Features:

- (12) Maxi Air Jets with 24 openings

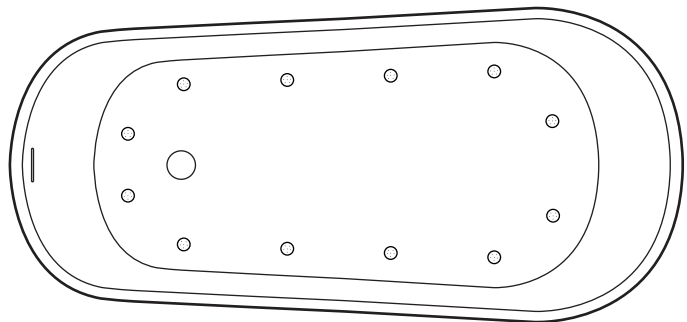


Elbows for air jets    Tees for air jets

- Remote Control CG+/RTC-SENSOR-WP



12-15 year battery life





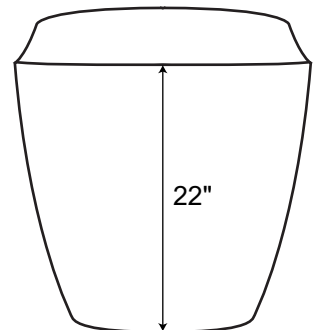
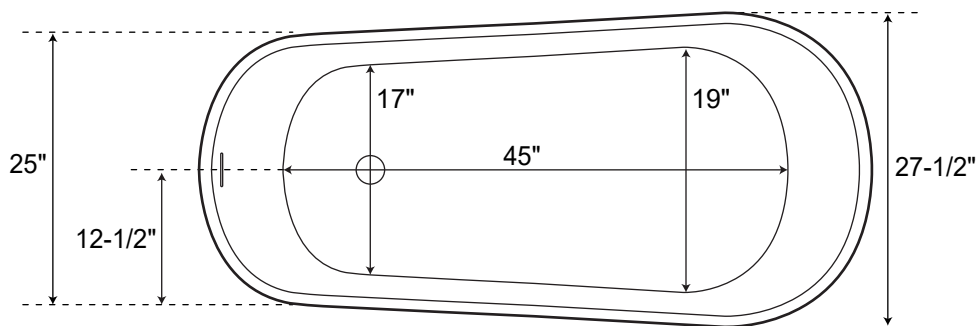
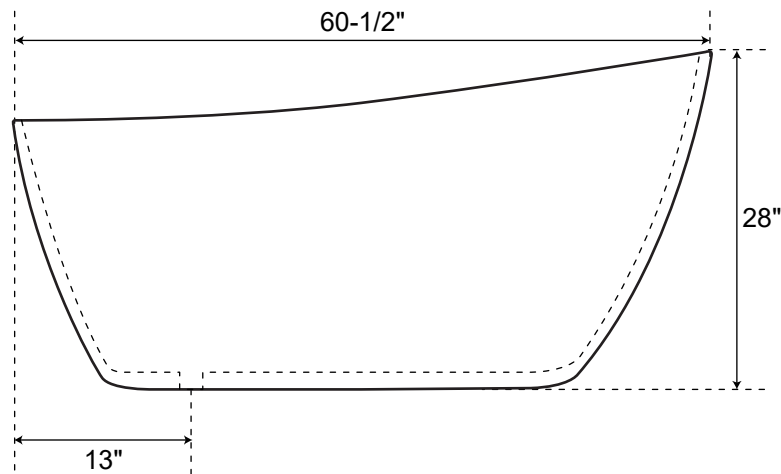
## SPECIFICATIONS

Overall Dimensions	60-1/2" L x 27-1/2" W (front to back) x 28" H
Water Capacity	
without overflow	N/A
with overflow	54 gallons
Water Depth	
to top of tub	N/A
to overflow	15-1/2" H
Tub Weight Uncrated	292 lbs.
Tub Rim	1" wide
Tub Footprint	42-1/2" L x 17-3/4" W (front to back)
Faucet Configurations	No Drillings

## 60" Sheba

Gloss Resin Freestanding Tub

*All measurements are approximate. Measurements may vary +/- 1".*





## SPECIFICATIONS

Overall Dimensions	66-1/4" L x 28" W (front to back) x 28-3/4" H
Water Capacity	
without overflow	N/A
with overflow	57 gallons
Water Depth	
to top of tub	N/A
to overflow	15-3/4" H
Tub Weight Uncrated	295 lbs.
Tub Rim	1" wide
Tub Footprint	45" L x 17-1/2" W (front to back)
Faucet Configurations	No Drillings

## 66" Sheba

Gloss Resin Freestanding Tub

*All measurements are approximate. Measurements may vary +/- 1".*

