



TOWEL WARMER INSTALLATION

BEFORE YOU BEGIN

We recommend consulting a professional if you are unfamiliar with installing bathroom fixtures. Signature Hardware accepts no liability for any damaged caused, or for personal injury, during installation. Hardwired towel warmers should be installed by a licensed electrician.

Observe all local plumbing and building codes.

Unpack and inspect the product for shipping damage. If any damage is found, contact our Customer Relations team at 1-866-855-2284.

This electric towel warmer is intended for drying towels in an indoor residential environment. Other forms of use or changes to the product are deemed to be contrary to the intended use and may result in risks such as the danger of death, injury and damage. Signature Hardware does not accept any liability for injury or damage resulting from use of this product contrary to its intended use. This product is not intended to be used for commercial purposes.

GETTING STARTED

- Ensure that you have gathered all the required materials that are needed for the installation.
- Before performing any electrical work, ensure that the main power source is shut off to avoid electric shock.
- Prior to installing the towel warmer, a single-gang switch box should be installed in the wall. The electrical plate will cover this switch box.
- A GFCI (Ground Fault Circuit Interrupter) outlet is required for plug-in installation and use.

TOOLS AND MATERIALS:



Hex Wrench
(provided)



Phillips
Screwdriver



Tape Measure



Hammer



Drill



Level



Pencil

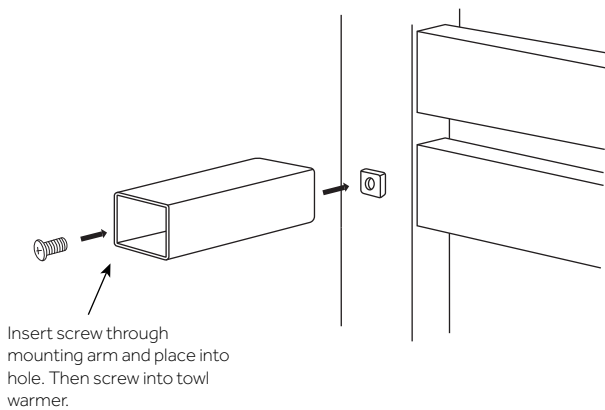


TOWEL WARMER INSTALLATION

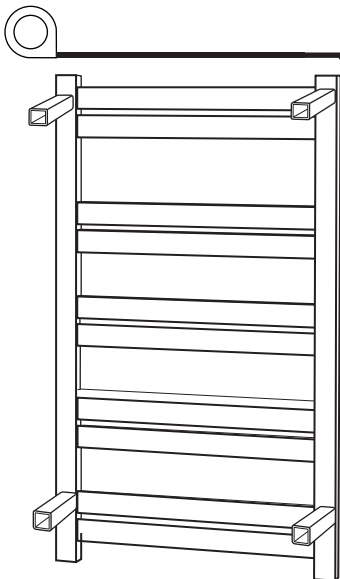
INSTALLATION

1. Attach each of the mounting arms to the back of the towel warmer. Use the provided short screws and a Phillips screwdriver to attach.

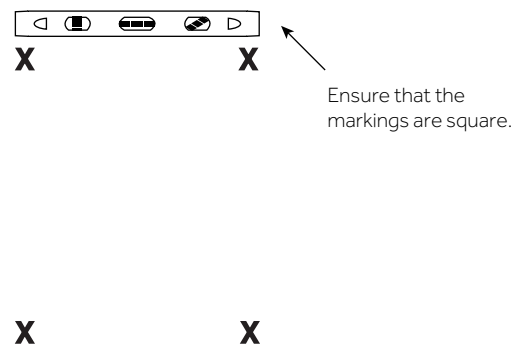
Note: The arm containing the u-shaped notch should be installed at the location of the towel warmer's plug.



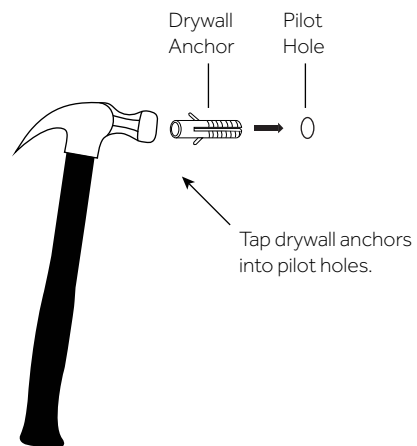
2. Use a tape measure to measure the distances between each of the four mounting arms.



3. Determine a location to mount the towel warmer on the wall. Use the measurements taken in the previous step to mark the exact location of each of the four mounting holes on the wall. Use a level to ensure that the mounting holes are marked square.



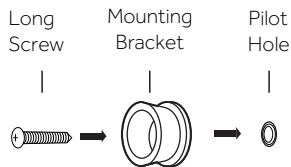
4. Drill pilot holes into the wall at each of the four marked mounting hole locations. Insert one of the provided drywall anchors into each hole. Use a hammer to tap in gently.



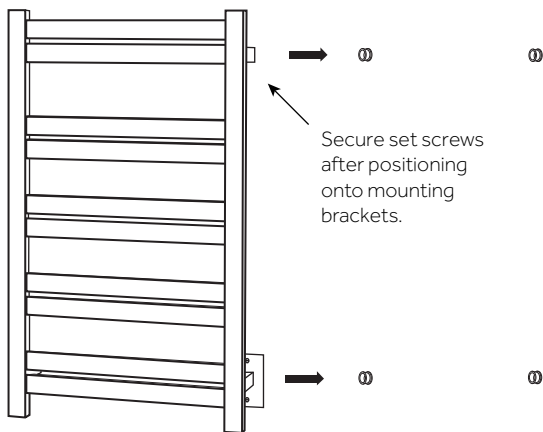


TOWEL WARMER INSTALLATION

5. Attach each of the four mounting brackets to the wall, using the provided long screws. Tighten firmly into the installed drywall anchors.

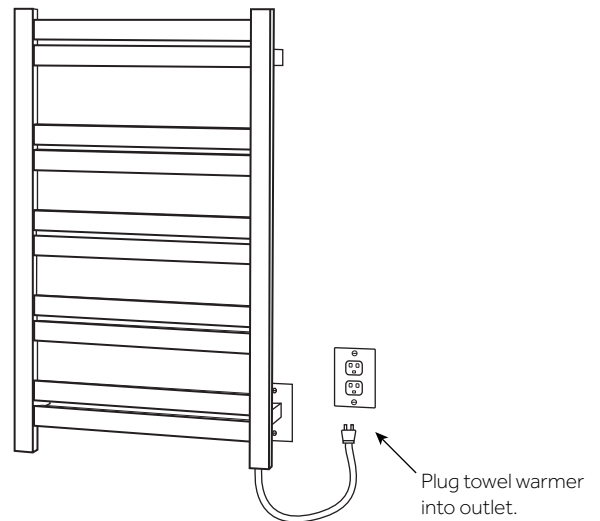


6. Hang the towel warmer onto the installed mounting brackets. Secure the towel warmer to the wall by tightening each of the set screws on the bottom of each mounting arm, using the provided hex wrench.



7. Complete the installation of the towel warmer by plugging it into its prepared outlet.

Important: For a hardwired application, consult a licensed electrician to complete the installation. Hardwired installation requires cutting and removing the plug, as well as running electrical wiring to a timer or power source. A professional is required.



NOTICE: WHEN NOT IN USE, ENSURE THAT THE TOWEL WARMER'S POWER SWITCH IS IN THE OFF POSITION. THIS WILL PREVENT DAMAGE TO LINENS HUNG FOR A LONG PERIOD OF TIME, AS WELL AS THE POSSIBILITY OF INJURY.